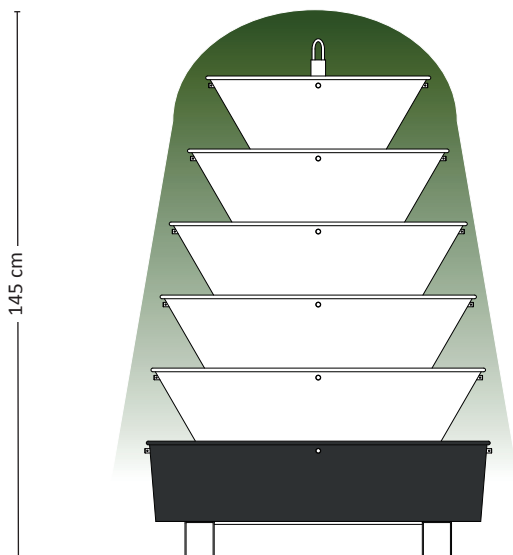
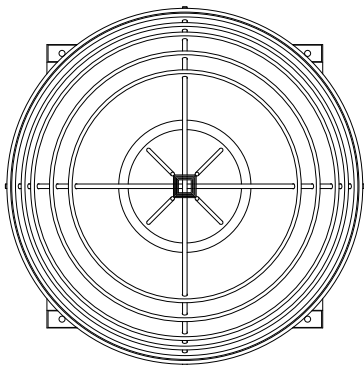


Flower Tower rm120s



95 cm



Flower Tower rm120s

- **Base:** hot rolled steel + duplex finish (galvanized + powder coated)
- **Rings:** galvanized steel, spun in one piece
- **Central pole and rods:** galvanized steel
- **Moveable** with pallet jack and forklift
- 0,8m³ of substrate (8,8 liter / plant)
- 90 plants (pro rata of 5 plants per linear meter)
- 1m² of floor space exposes 4m² of flowers
- Weight (empty): 75 kg