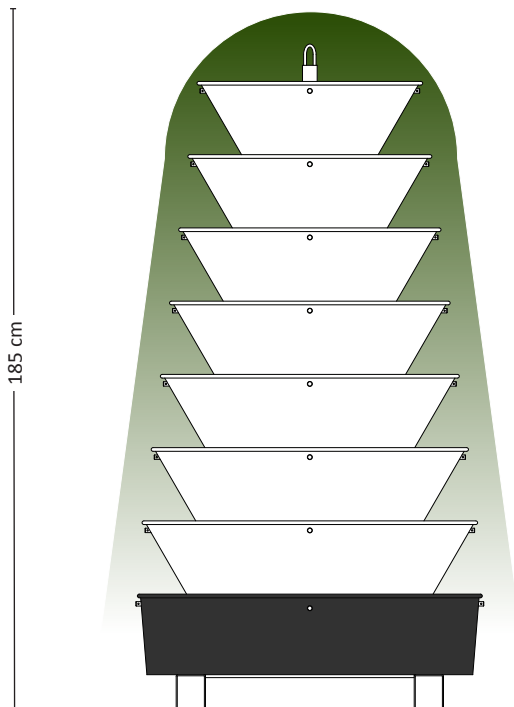
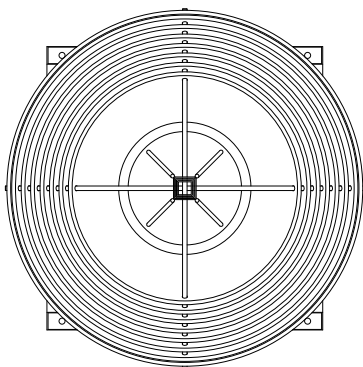


# Flower Tower rm160s



95 cm



## Flower Tower rm160s

- **Base:** hot rolled steel + duplex finish (galvanized + powder coated)
- **Rings:** galvanized steel, spun in one piece
- **Central pole and rods:** galvanized steel
- **Moveable** with pallet jack and forklift
  
- 1m<sup>3</sup> of substrate (8,3 liter / plant)
- 120 plants (pro rata of 5 plants per linear meter)
- 1m<sup>2</sup> of floor space exposes 4,5m<sup>2</sup> of flowers
  
- Weight (empty): 90 kg