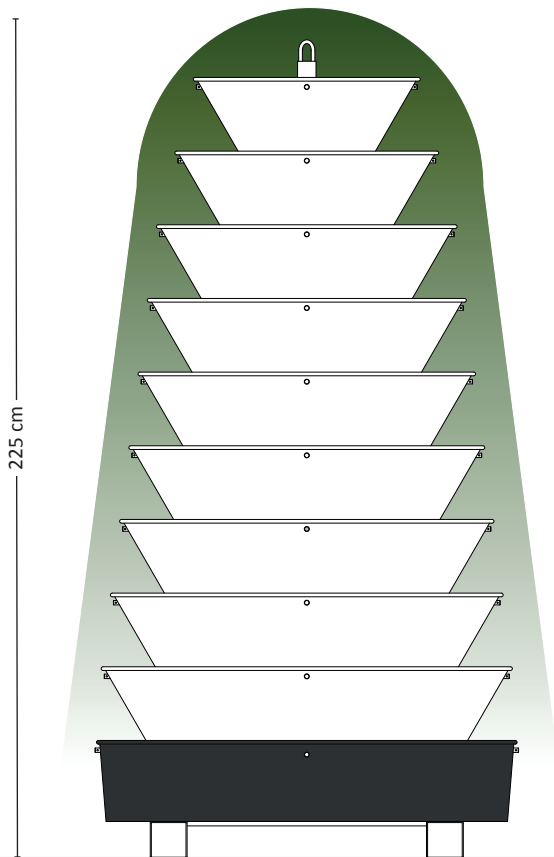
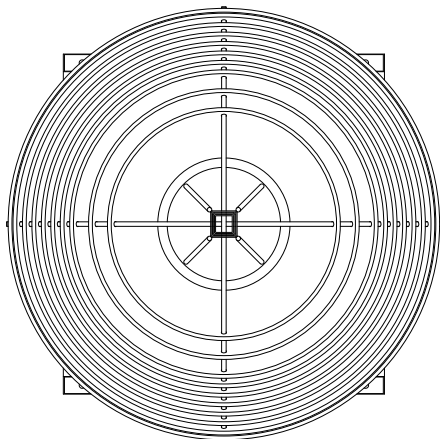


Flower Tower rm200s



115 cm



Flower Tower rm200s

- **Base:** hot rolled steel + duplex finish (galvanized + powder coated)
- **Rings:** galvanized steel, spun in one piece
- **Central pole and rods:** galvanized steel
- **Moveable** with pallet jack and forklift

- 1,25m³ of substrate (8,3 liter / plant)
- 150 plants (pro rata of 5 plants per linear meter)
- 1,3m² of floor space exposes 5,5 m² of flowers

- Weight (empty): 135 kg